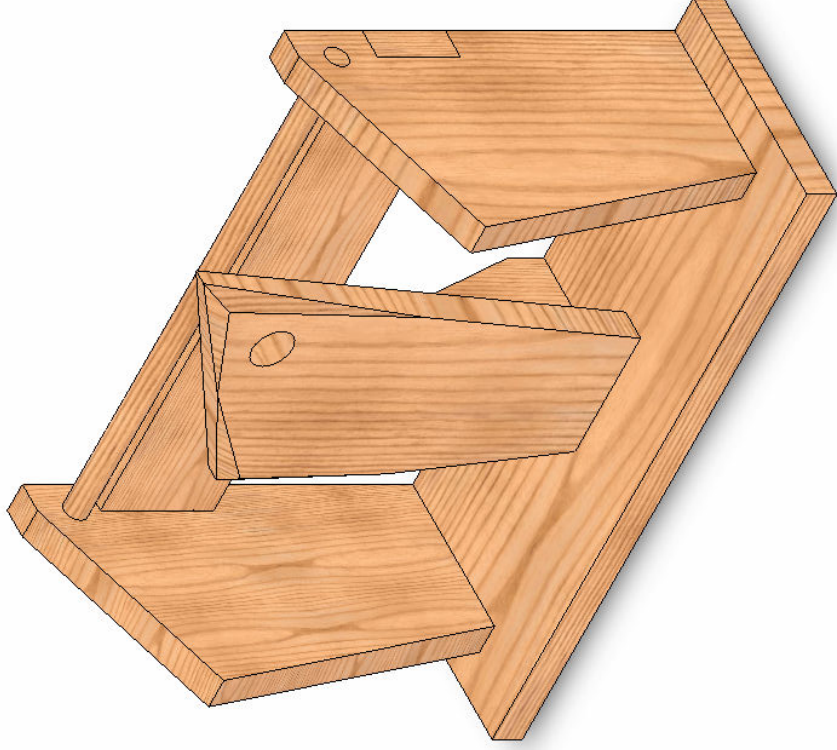
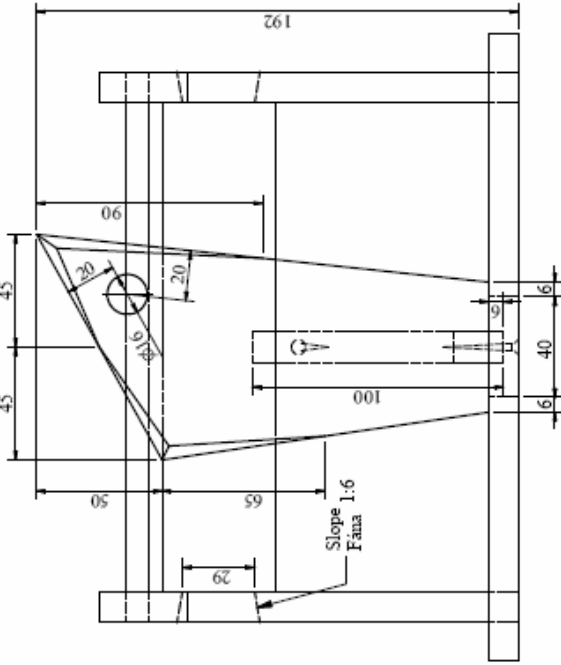


# Construction Studies Practical 2004

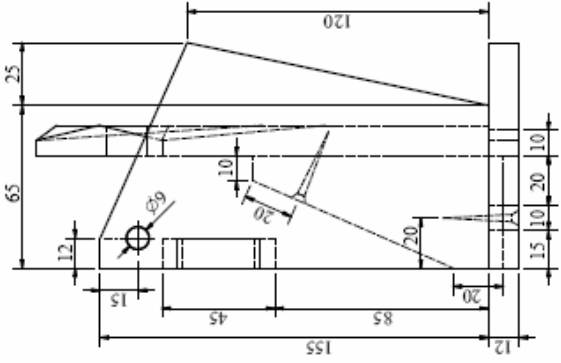


Create an Assembly and Save As CS Practical 04

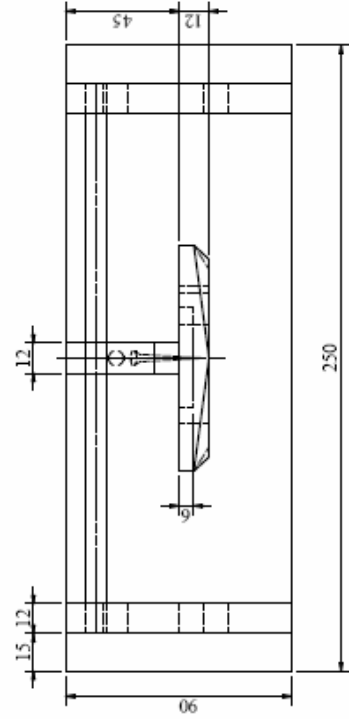
MTTL(T)



Elevation/Aghaidhchló

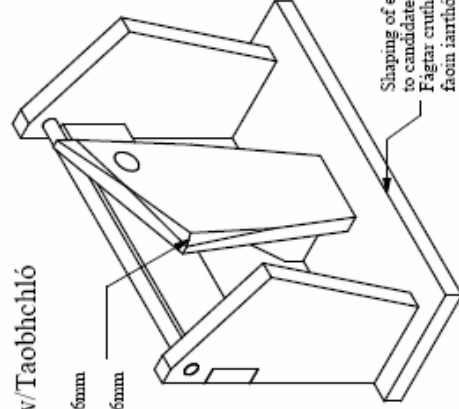
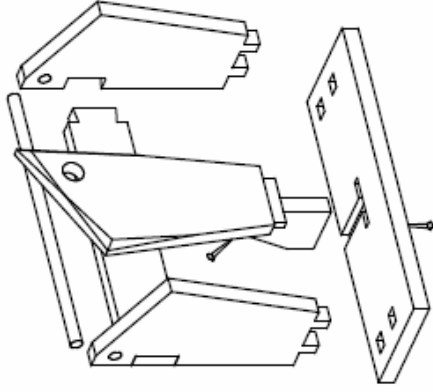


End View/Taobhchló



Plan/Bunchló

# Trophy/Trófaí



Shaping of edge of base is left to candidate  
 Fágtar cruth inaall an bhonn faoin iarrthóir

Chamfers 6mm x 6mm at the corner  
 Seaiméir 6mm x 6mm ag an gcúinne