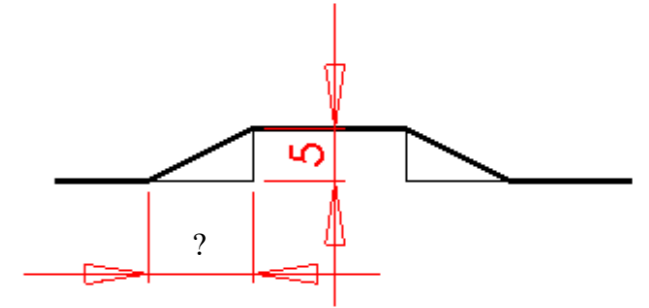
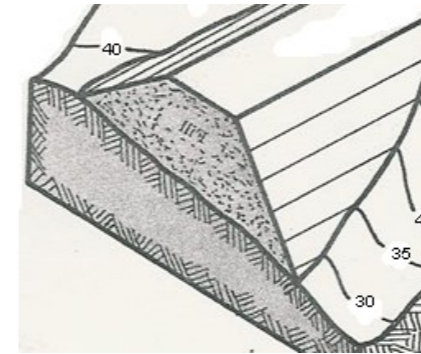


EARTHWORKS 2

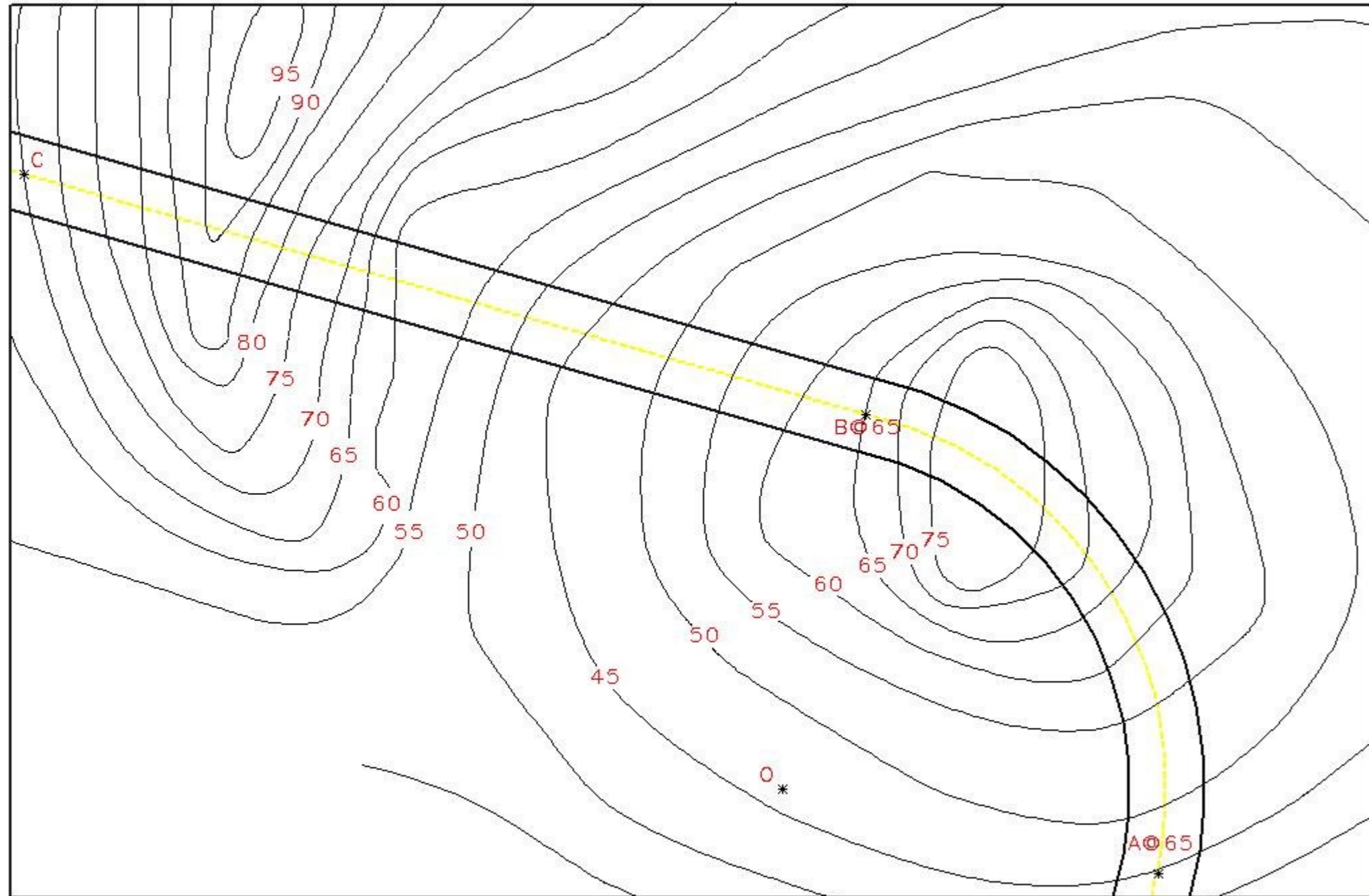
The drawing below shows ground contours at five-metre vertical intervals. ABC is the line of a proposed roadway having the following specifications.

- (i) formation width as given;
- (ii) formation level at A is 65m;
- (iii) A to C is level;
- (iv) side slopes for cuttings 1 in 1;
- (v) side slopes for embankments 1 in 1.5.
- (vi) O is the centre of the circular part of the roadway.

Show the earthworks necessary to accommodate the roadway.



Lines on surface of cut/fill must meet corresponding contour lines



In a level road all lines and arcs on surface of cut/fill are parallel to edge of road

