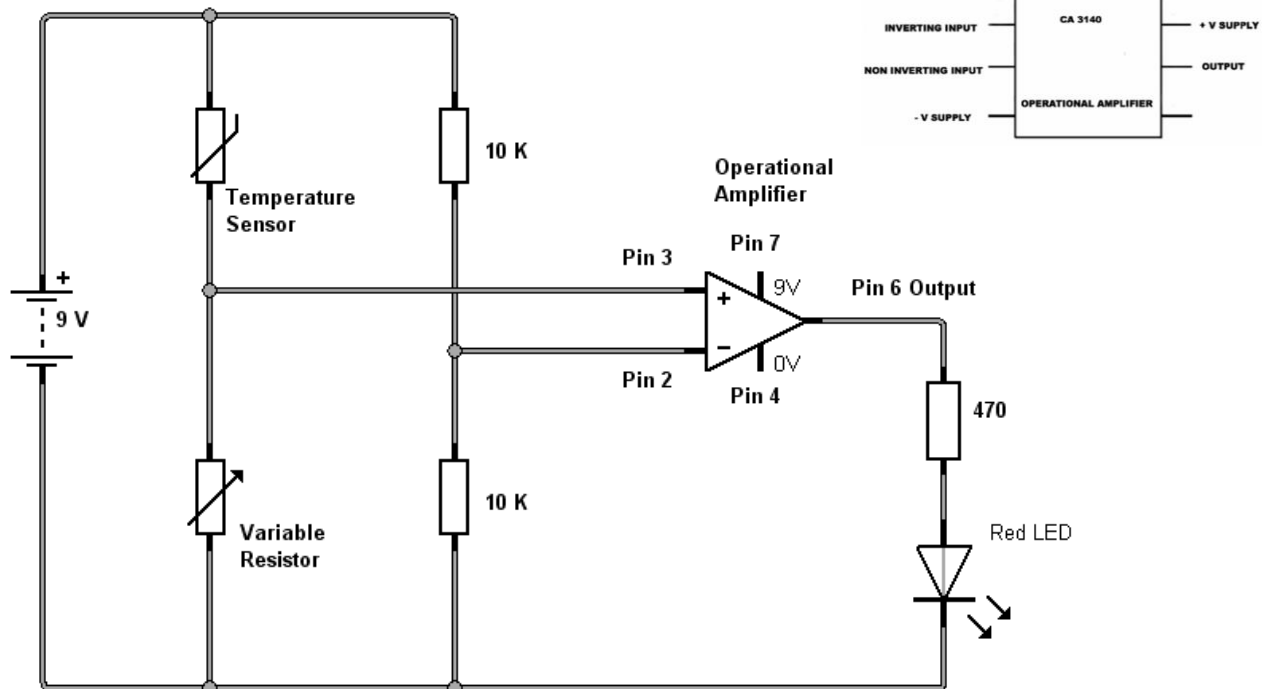
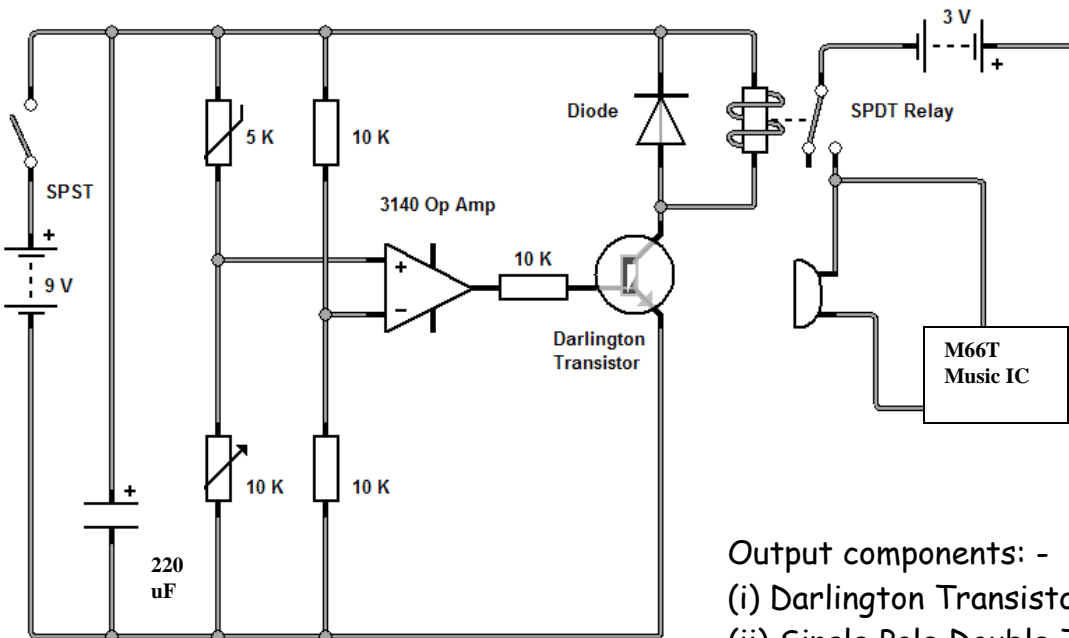


# Temperature Sensing Circuit



# Temperature Controlled Music IC



Output components: -  
 (i) Darlington Transistor  
 (ii) Single Pole Double Throw Relay.  
 (iii) Music IC & Speaker