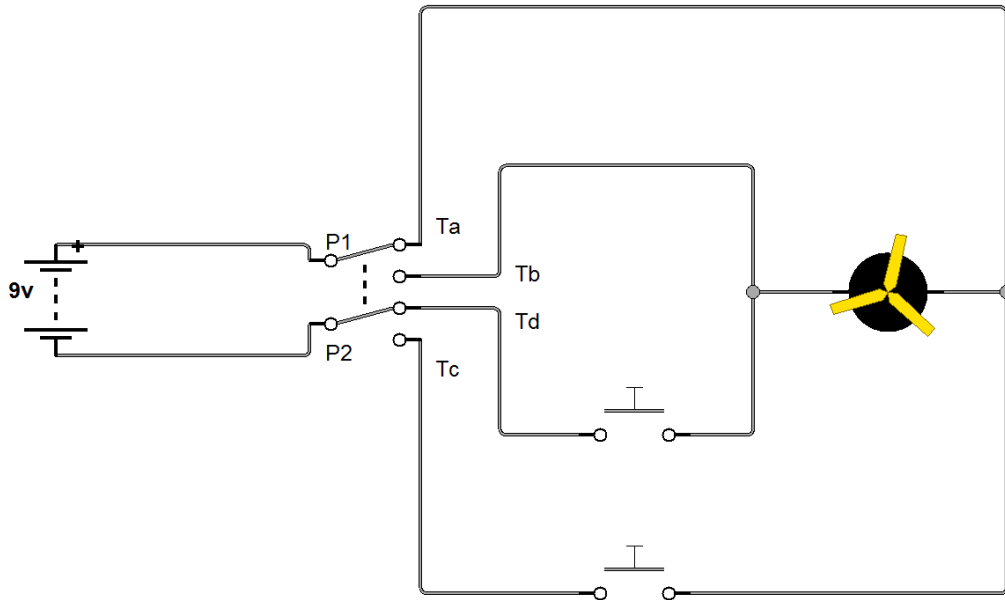


Show how to connect the DPDT relay to behave as outlined in the circuit diagram.



Circuit Diagram

